

# Blu-Beagle

By Gene Bond

Artwork by Glen Weber (gpw)

D

Specs:

Wingspan: 30"

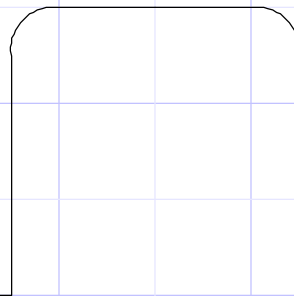
Weight: 7-8oz

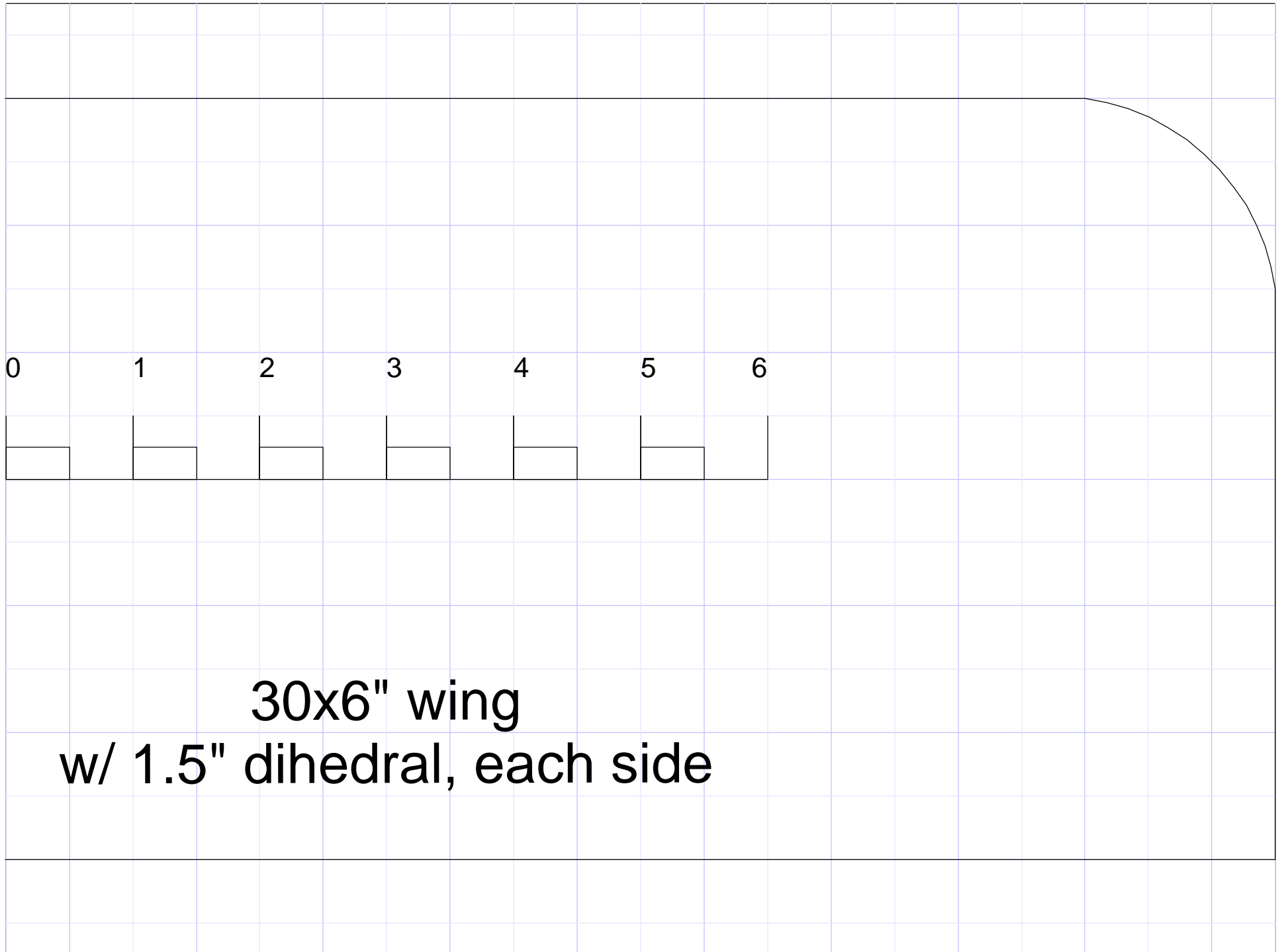
Power: 280-DD or more

GWS EM-100 & 5030

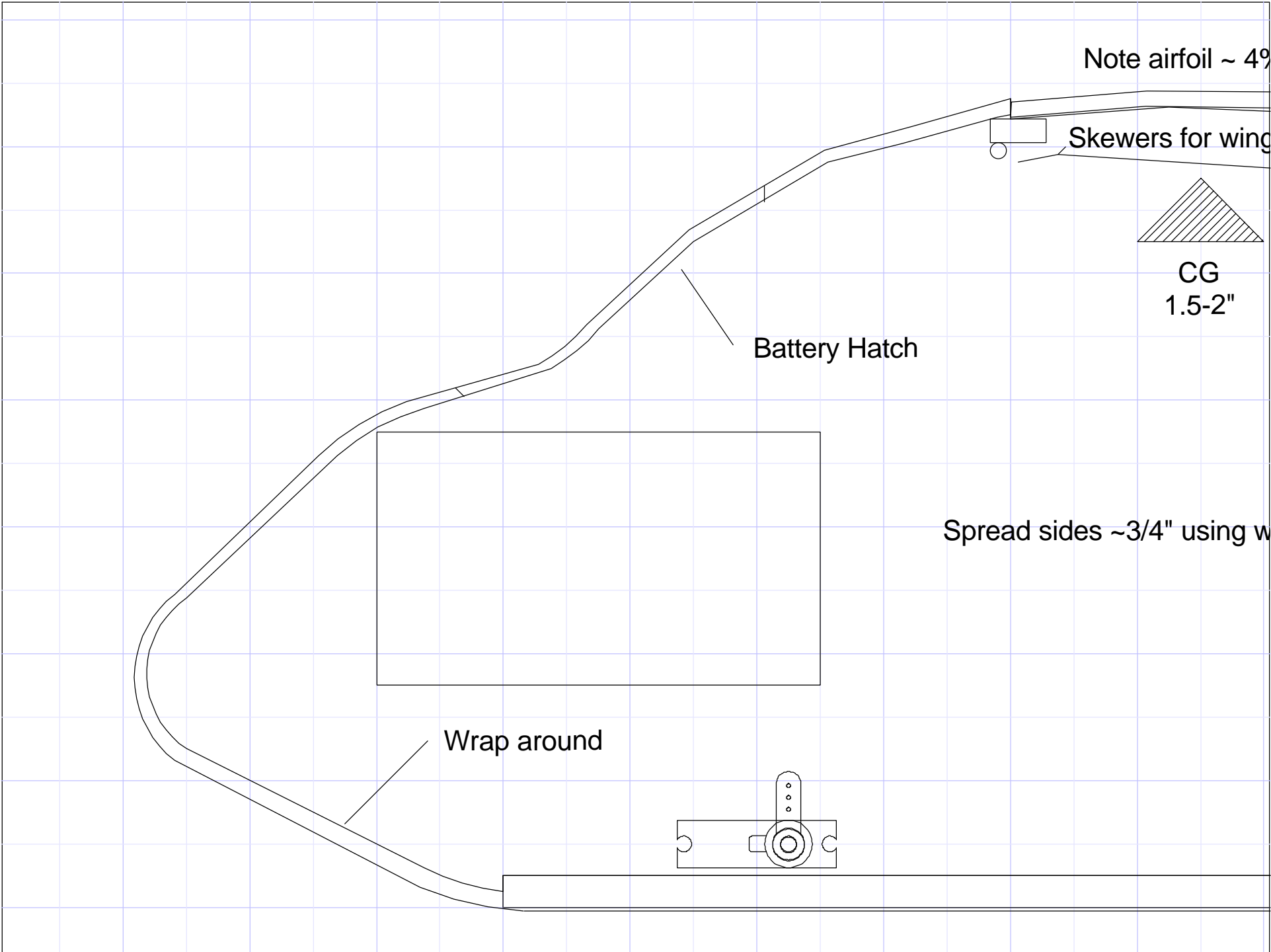
used for test (3A)

Intended as a DPF Trainer



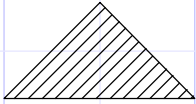


30x6" wing  
w/ 1.5" dihedral, each side



Note airfoil ~ 4%

Skewers for wing

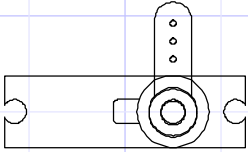


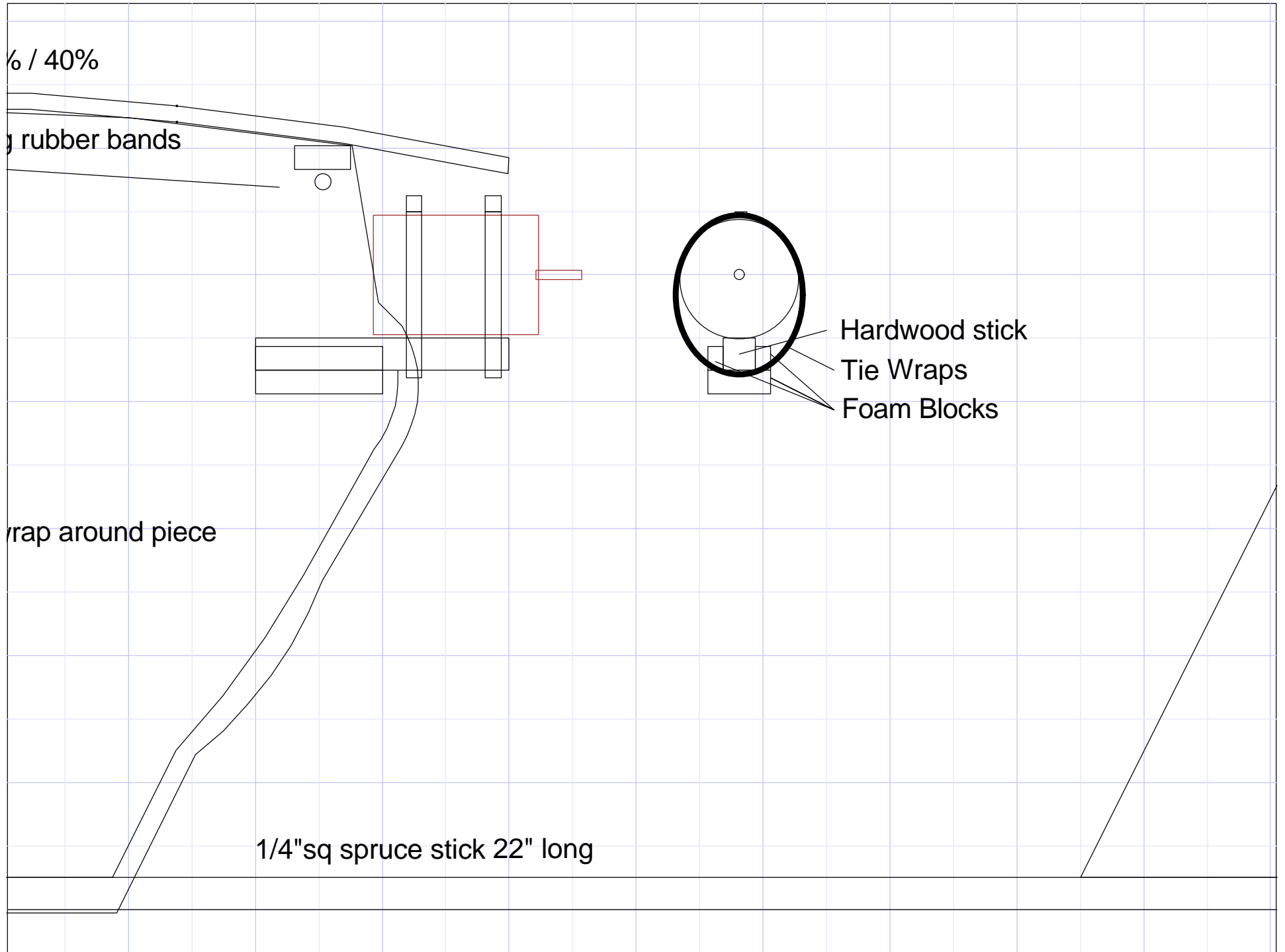
CG  
1.5-2"

Battery Hatch

Spread sides ~3/4" using w

Wrap around





% / 40%

rubber bands

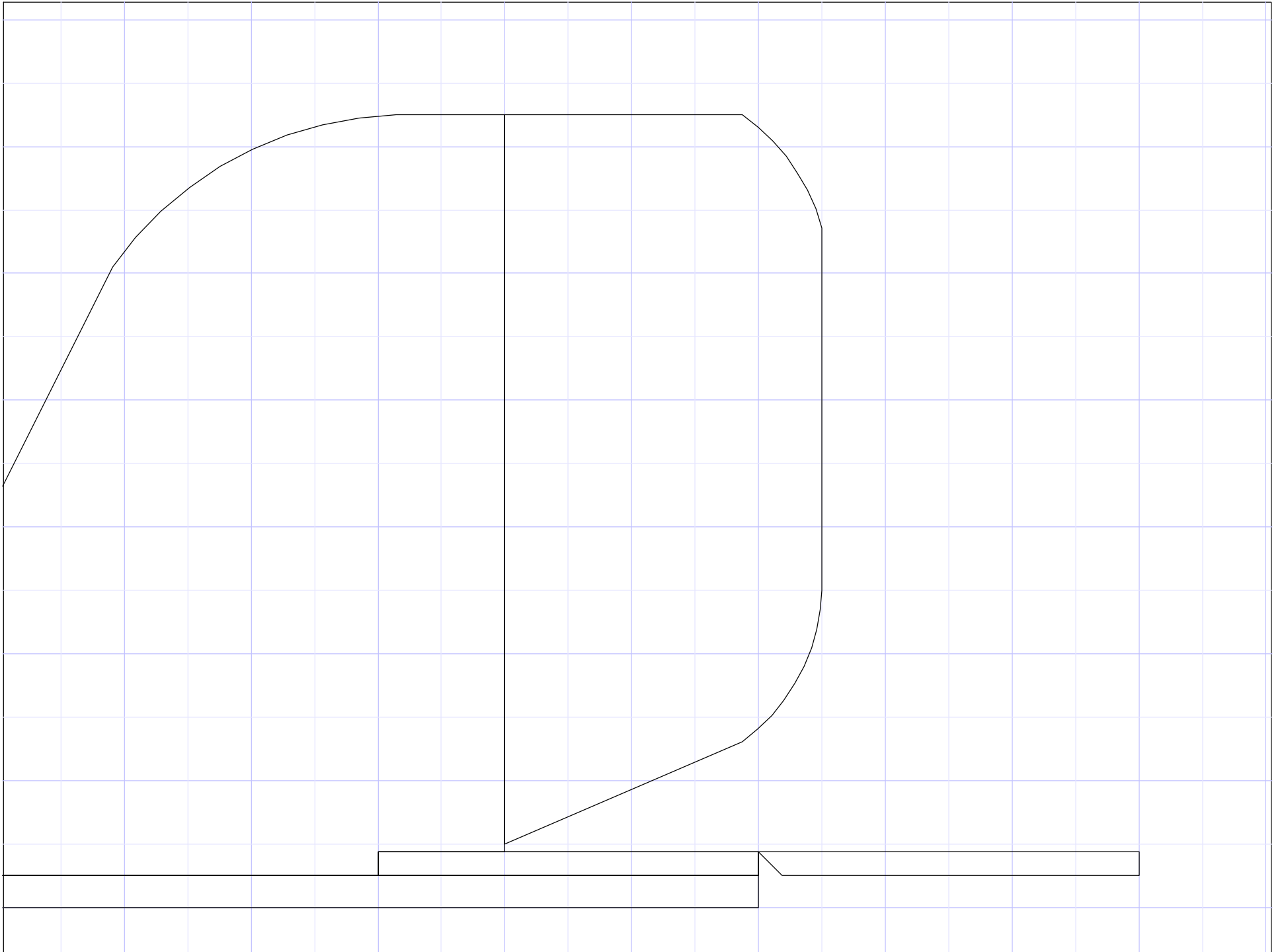
wrap around piece

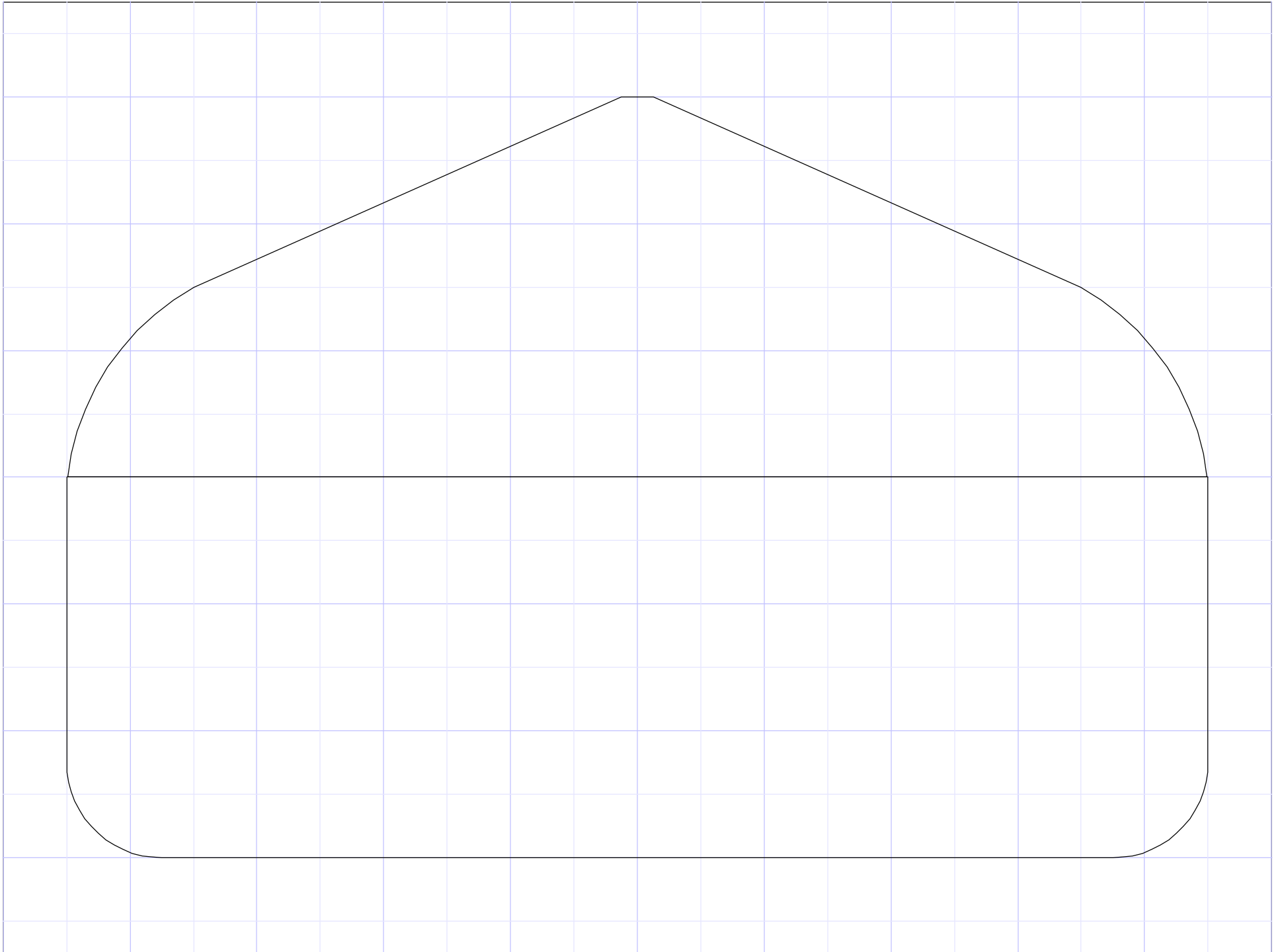
1/4"sq spruce stick 22" long

Hardwood stick

Tie Wraps

Foam Blocks



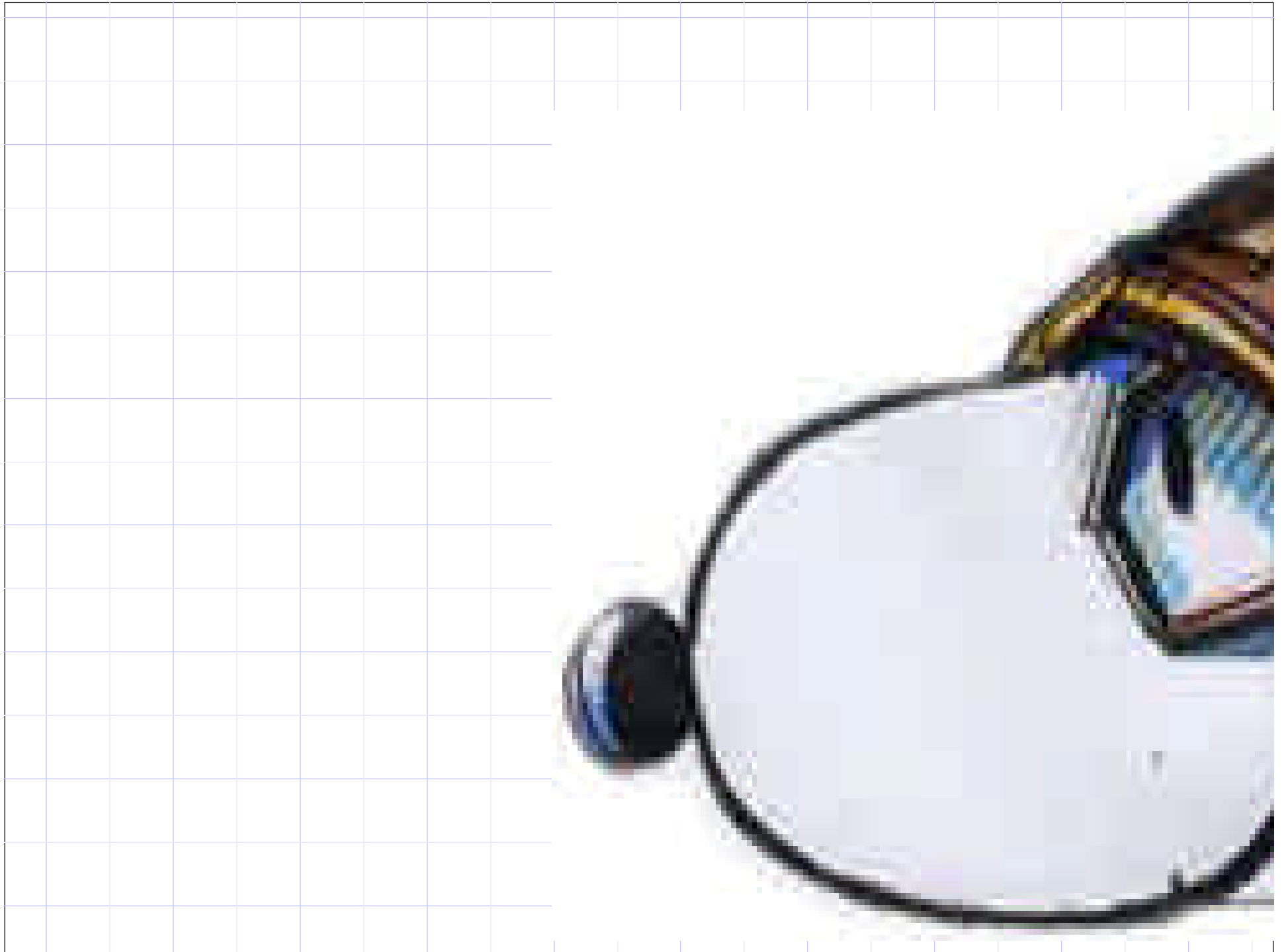






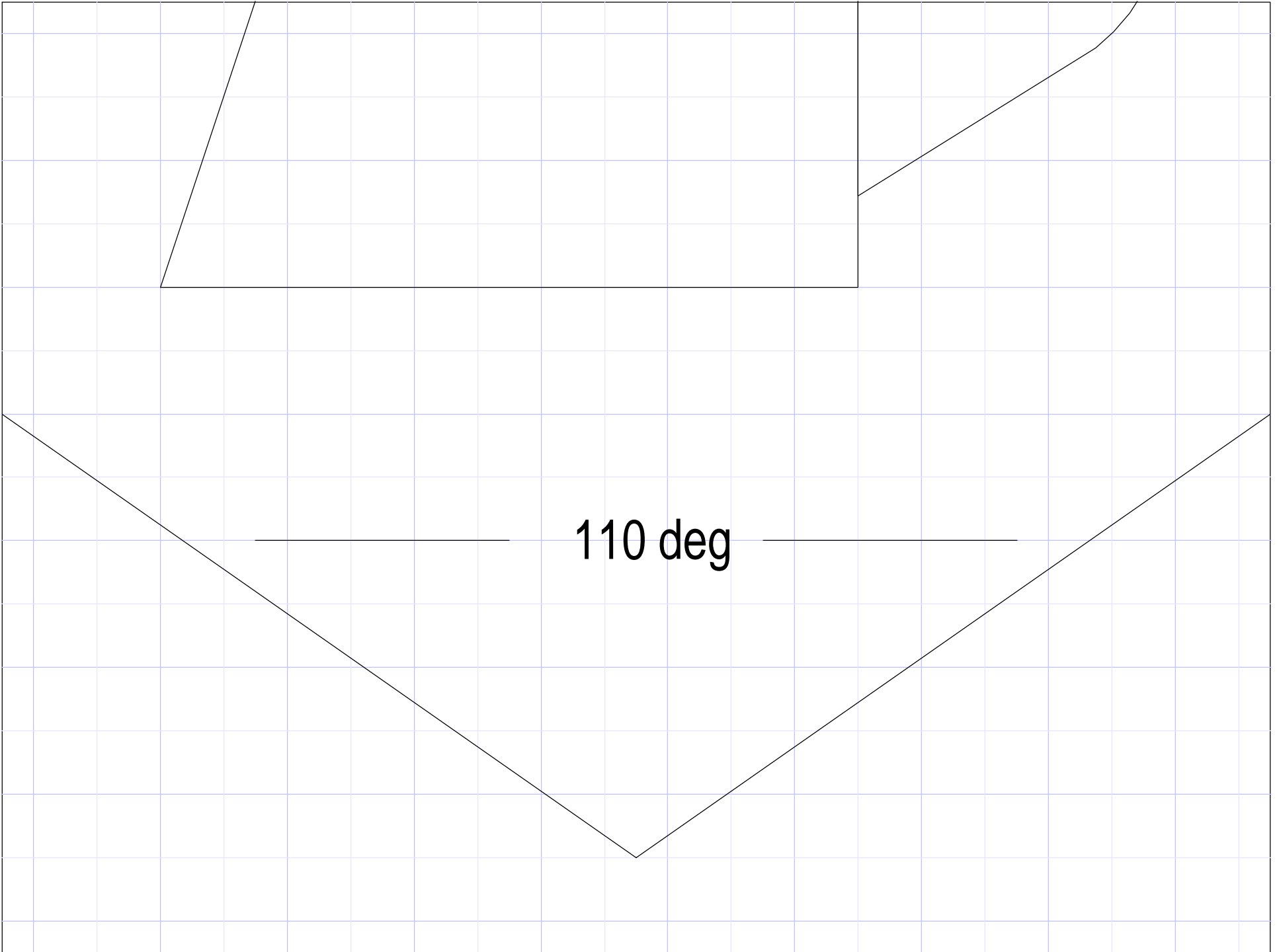




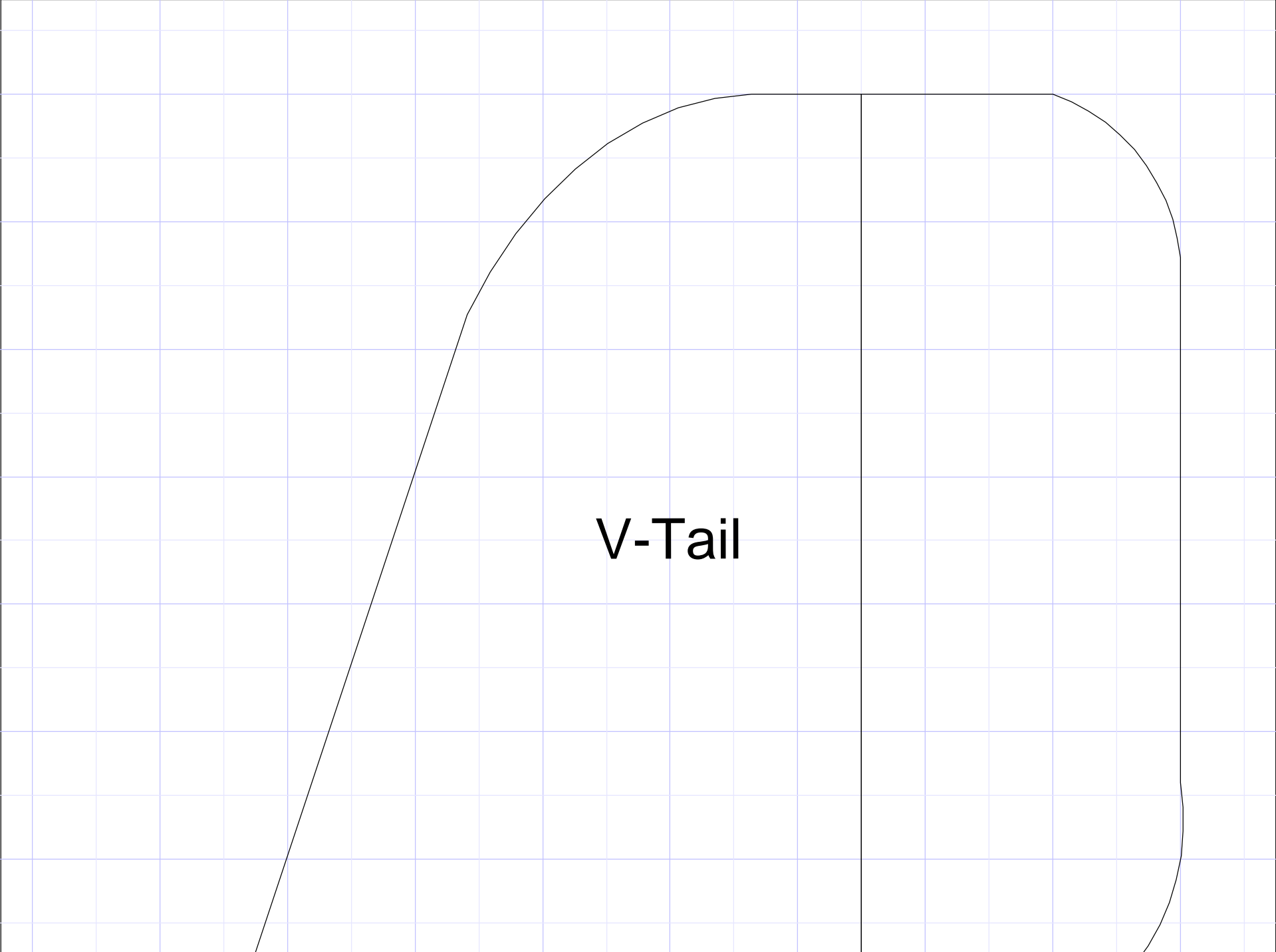








110 deg



V-Tail





